

Technical Data Sheet

General

Article number: 9080

Description: Colad Diagonal Foam Masking Tape

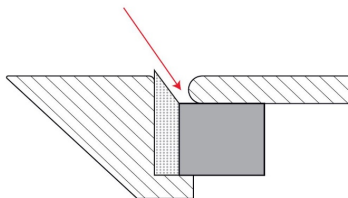


Product description

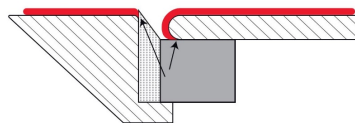
Innovative diagonally shaped Foam Tape for the smoothest edges.

Seal apertures between panels preventing the need for rework on hard paint lines by using our innovative diagonally shaped Foam Tape. Easy to apply and remove without leaving any residue. Specifically designed to help you create the smoothest paint transitions possible preventing the need to rework on your panels. Save time and achieve the smoothest end-result possible. Suitable for use in the smallest apertures.

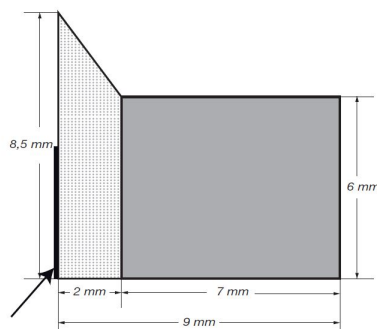
- Diagonal design to allow paint to pass towards the edge.
- Perfectly suitable on vehicle doors with internal wall.



- Perfect edge definition without interior blurring.



- Remove adhesive sheet with protective paper.



Features

- Innovative diagonal shape
- Easy to apply due to the dispenser box
- Designed to prevent the need for rework on hard paint lines

Benefits

- Create flawless paint transitions in hard to reach places
- Eliminate hard paint lines without any effort
- Save time by preventing the need for rework
- Easy to apply and remove without leaving any residue

Specifications

Carrier: PU-Foam (on polyester base)

Density: 25 kg/m³ (ISO 845) / 33 kg/m³

Resistance to traction: 120 kPa ISO 1798 / 450 kPa ISO-1926

Adhesive: Hot-melt, block-polymer base

Color: Transparent

Length: 38 m

Temperature resistance (short): 180°C

Advised storage conditions: In original packing, at < 35°C, at normal ventilation and no longer than 12 months.

Packing: Per roll in a dispenser box

Delivery: 150 boxes per pallet

Published by:

EMM International BV

Bohemensestraat 19, 8028 SB Zwolle, The Netherlands

www.emm.com

T +31(0)38 467 66 00

www.colad.co

DISCLAIMER;**Technical Data Sheet and Material Safety Data Sheet**

It is the responsibility of the user to read, understand and apply the information of the TDS. It is the responsibility of the user to read and apply the information.

Products are for professional use. Necessary protective equipment and clothing should be worn.

The repairs should always be done in accordance with the OEM rules and specifications.

All information is for the user's consideration, investigation and verification. The specific use applications and conditions of use are beyond the control of EMM International BV. It is the responsibility of the user to determine the suitability of any of the products mentioned for the user's specific application.